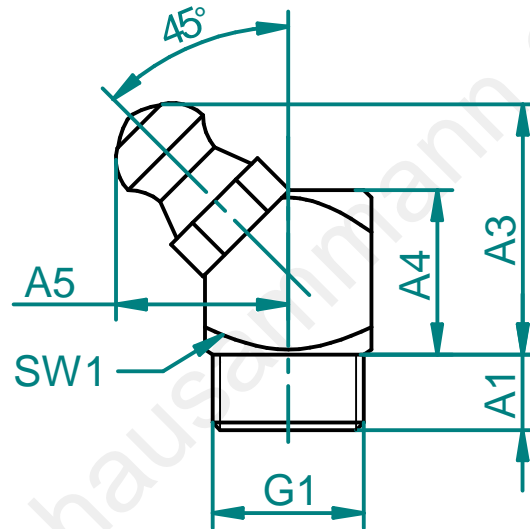


General tolerances ISO 2768-m						Index	Date	Visum	Modification	Index	Date	Visum	Modification
Basic-size	...6	> 6 ...30	> 30 ...120	>120 ...400	> 400 ...1000								
medium	±0.1	±0.2	±0.3	±0.5	±0.8								



Specifications points D,K,H	
D= doc.points	
K= critical	
H= main	

Accord-draw.no.: Origin-draw.no.: Replacement for:	Material:									
	Stahl verzinkt									
	Scale									
	2:1									
		<table border="1"> <tr> <th>Date</th> <th>Visum</th> <th>Phone</th> </tr> <tr> <td>26.09.11</td> <td>E.Z</td> <td></td> </tr> </table>	Date	Visum	Phone	26.09.11	E.Z			
Date	Visum	Phone								
26.09.11	E.Z									
		<table border="1"> <tr> <th>plotted</th> <th>checked</th> </tr> <tr> <td></td> <td></td> </tr> </table>	plotted	checked						
plotted	checked									
		HAUSAMMANN KOMONENTEN PRODUKTION SYSTEME								
06.052		Solid Edge	Format A4	Index 00						
<small>© 2010, Für dieses Dokument behalten wir uns alle Rechte vor. © 2 010, Nous nous reservons tous les droits sur ce document © 2 010, We reserve all rights in connection with this document</small>										